

## PRT/HW-N Instructions

- ★ Programmable Room Thermostat with HW
- ★ Blue backlight
- ★ Network Enabled
- ★ Infrared Remote Control (Optional)

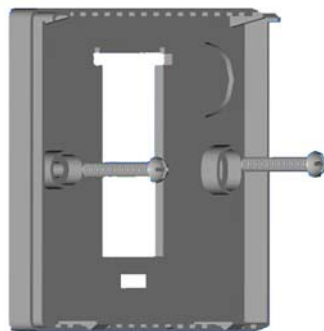
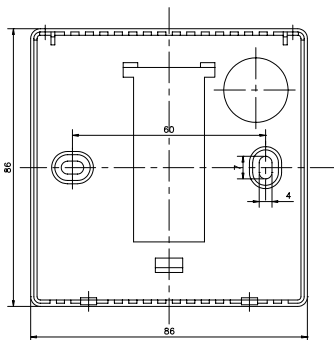


### SPECIFICATIONS

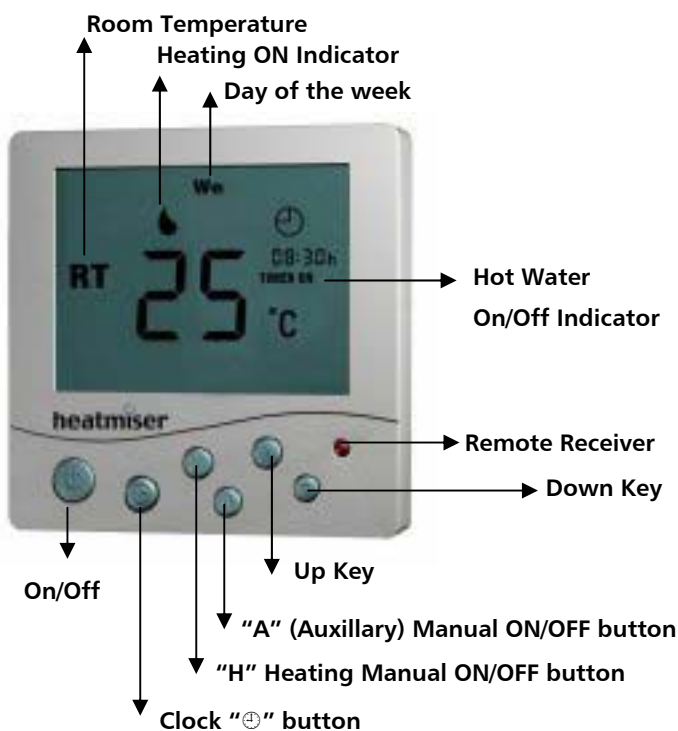
Set-point range: 5°C to 35°C  
 Operating difference: ± 1°C  
 Switch current rating: < 3A  
 Sensing element : NTC

Display: LCD  
 Power supply: 12V from Network  
 Dimensions: 86 × 86 × 13 mm  
 Housing: ABS Flame Retardant  
 Switching Voltage: Volt Free

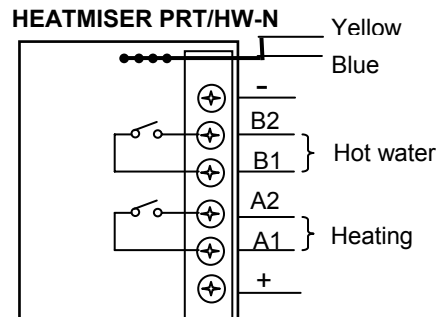
### MOUNTING



### BUTTON DESCRIPTION



### WIRING DIAGRAM



## STANDBY

- ☞ To turn the PRT/HW-N into Standby, press "⏻"  
Standby. Heating = Frost Protection. HW=Off

## SETTING THE CLOCK

- ☞ Press "⊕" three times, "⊕" is displayed.
- ☞ Use the Up/Down key to select the minutes.
- ☞ Press "H" to accept the minutes setting
- ☞ Use the Up/Down key to select the hours
- ☞ Press "H" to accept the hours setting
- ☞ Use the Up/Down key to select the day of the week.
- ☞ To store the new settings, press "A"

## SETTING THE HEATING PROGRAM

- ☞ Press "⊕" once, "🔥" is displayed as well as the number 1 and "Mo Tu We Th Fr"  
This indicates that you are able to program switching time 1 for the week-day.
- ☞ Use Up/Down keys to set the required start time.
- ☞ Press "H" to accept this setting.
- ☞ Use the Up/Down key to set the required temp.
- ☞ Press "H" to accept this setting.
- ☞ Repeat for switching times 2-4 week-day.
- ☞ After you have programmed times 1-4 for the weekday, you are now able to set the switching times for weekend "Sa Su" will be displayed.
- ☞ Use Up/Down keys to set the required start time.
- ☞ Press "H" to accept this setting.
- ☞ Use the Up/Down key to set the required temp.
- ☞ Press "H" to accept this setting.
- ☞ Repeat for switching times 2-4 for the week-end.

## SETTING THE HOT WATER PROGRAM

- ☞ Press "⊕" twice until "TIMER ON" is displayed
- ☞ Use the Up/Down key to enter the required ON time.
- ☞ Press H to accept this time.
- ☞ Use the Up/Down key to enter the required OFF time.
- ☞ Press H to accept this time.
- ☞ Repeat for switching periods 2-4.

### Note:

For unused periods, set the ON and OFF time to --.--

## TEMPERATURE CALIBRATING:

- ☞ With the PRT/HW in standby, Press "⊕" and "H" for 3 seconds. The display will show "XX" °C
- ☞ Press "▲" or "▼" to adjust the temperature to the correct value.
- ☞ Press "⏻" to turn off, It will be confirmed automatically.

## COMMUNICATION NUMBER

- ☞ With the PRT/HW-N in standby. Press "⊕" and "H" for 3 seconds. The display will show "XX" °C
- ☞ Press "A" to display the station number.
- ☞ Press "▲" or "▼" to adjust the thermostat communication number to the correct value.
- ☞ Press "⏻" to turn off, It will be confirmed automatically.

## MANUAL HEATING OVERRIDE (FROST PROTECTION)

- ☞ To put the PRT/HW-N in to Frost Protection mode, Press "H". A frost protection symbol "❄" will be shown.
- ☞ To cancel the Frost Protection mode, press H. The frost protection symbol "❄" will be removed.

## MANUAL HOT WATER OFF/ON FUNCTION

- ☞ To manually turn OFF the hot water press "A" (AUXILLARY) TIMER OFF will flash to indicate the hot water has been overridden OFF.
- ☞ To enable the hot water programs in the PRT/HW press "A" TIMER OFF will stop flashing and depending on the current programmed switching status will display:
  - a> TIMER ON during a programmed switching time.
  - b> TIMER OFF (Permanently displayed) when there is no programmed switching time.

Heatmiser UK Ltd

Primrose House

Primrose Street

DARWEN

Lancashire

UK

BB3 2DE

Tel: 01254 776343

Fax: 01254 704143

[www.heatmiser.co.uk](http://www.heatmiser.co.uk)

