

PRT-N

Instructions

- ★ Programmable Room Thermostat
- ★ Blue backlight
- ★ Network Functionality (RS485)

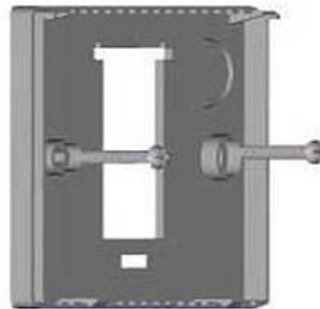
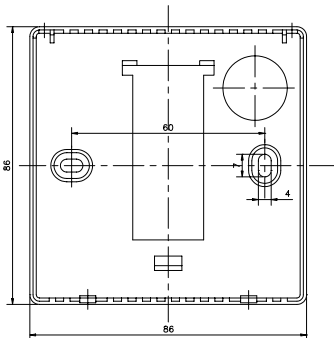


SPECIFICATIONS

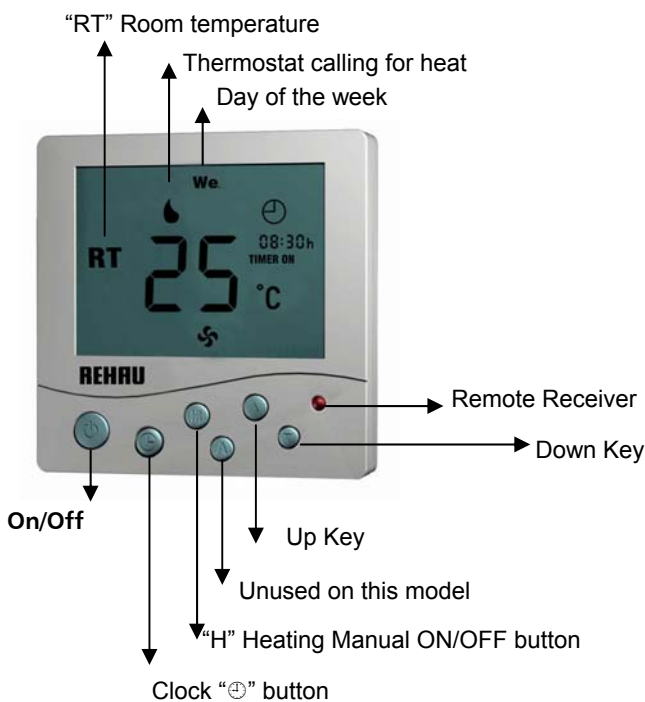
Set-point range: 5°C to 35°C
 Operating difference: ± 1°C
 Switch current rating: < 3A
 Sensing element : NTC
 Communication: RS485

Display: LCD
 Power supply: 12V from Network
 Dimensions: 86 × 86 × 13 mm
 Housing: ABS Flame Retardant
 Switching Voltage: Volt Free

MOUNTING

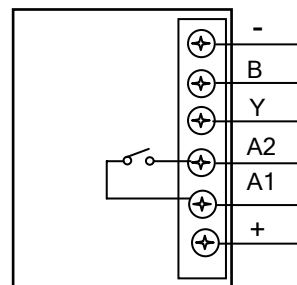


BUTTON DESCRIPTION



WIRING DIAGRAM

HEATMISER PRT-N



POWER ON/OFF

☞ To turn the PRT-N on or off press “⏻”

SETTING THE FROST PROTECTION TEMPERATURE

☞ With the thermostat powered off, press
⊕ and “A” for three seconds. You are now prompted to enter the required frost temperature setting. This is set to 12°C as a factory default. (Min = 07°C, Max = 17°C)

FROST MODE (THERMOSTAT OFF)

To enable this operation;

☞ With the PRT-N turned off.

Press “⊕” for 3 seconds.

Select 01 (00=disabled)

When enabled, the PRT-N will maintain the Frost Protection temperature whenever the power has been turned off by use of the “⏻” button.

TEMPERATURE CALIBRATING:

☞ With the PRT-N turned off, Press “⊕” and “H” for 3 seconds. The display will show the actual temperature

☞ Press “▲” or “▼” to adjust the temperature to the correct value.

☞ Press “⏻” to turn off. The calibration setting will now be stored.

NORMAL OPERATING MODE:

RT = When the PRT-N is in the operating mode, RT is displayed and indicates the Room Temperature.

SET = Pressing the UP or DOWN key once will display SET and the current set-point temperature. You are able to increase/decrease the set-point temperature using the UP/DOWN keys. This temperature change is only temporary and will be maintained only until the next programmed setting.

KEYPAD LOCKING FUNCTION

☞ Press “A” and Up for 10 seconds

☞ 00 = disabled 01 = enabled

☞ To lock the keypad, press “A” and Up keys for 10 seconds.

☞ “🔒” will be displayed to indicate the keypad is locked

☞ To unlock the keypad, repeat the steps above.

TM1 COMMUNICATION

☞ When a TM1 is connected to the network - it will signal to the DT/PRT when to go into frost or heat mode.

TIMER OFF = The thermostats will be set back to the frost condition.

TIMER ON = The thermostats will work to their programmed setting.

SETTING THE CLOCK

☞ Press “⊕” twice, “⊕” is displayed.

☞ Use the Up/Down key to select the minutes.

☞ Press “H” to accept the minutes setting

☞ Use the Up/Down key to select the hours

☞ Press “H” to accept the hours setting

☞ Use the Up/Down key to select the day of the week.

☞ To store the new settings, press “A”

MANUAL HEATING OVERRIDE (FROST PROTECTION)

☞ To put the PRT-N in to Frost Protection mode,

Press “H”. A frost protection symbol “❄️” will be shown.

☞ To cancel the Frost Protection mode, press H. The frost protection symbol “❄️” will be removed.

The frost protection temperature will be maintained in this mode.

(This function is only required if the Frost Mode - Thermostat Off function has been disabled.)

SETTING THE HEATING PROGRAM

☞ Press “⊕” once, “🕒” is displayed as well as the number 1 and “Mo Tu We Th Fr”

This indicates that you are able to program switching time 1 for the week-day.

☞ Use Up/Down keys to set the required start time.

☞ Press “H” to accept this setting.

☞ Use the Up/Down key to set the required temp.

☞ Press “H” to accept this setting.

☞ Repeat for switching times 2-4 week-day.

☞ After you have programmed times 1-4 for the weekday, you are now able to set the switching times for weekend “Sa Su” will be displayed.

☞ Use Up/Down keys to set the required start time.

☞ Press “H” to accept this setting.

☞ Use the Up/Down key to set the required temp.

☞ Repeat for switching times 2-4 for the week-end

COMMUNICATION NUMBER

☞ With the PRT -N in standby. Press “⊕” and “H” for 3 seconds. The display will show “XX” °C

☞ Press “A” to display the station number.

☞ Press “▲” or “▼” to adjust the thermostat

communication number to the correct value.

☞ Press “⏻” to turn off, It will be confirmed automatically.