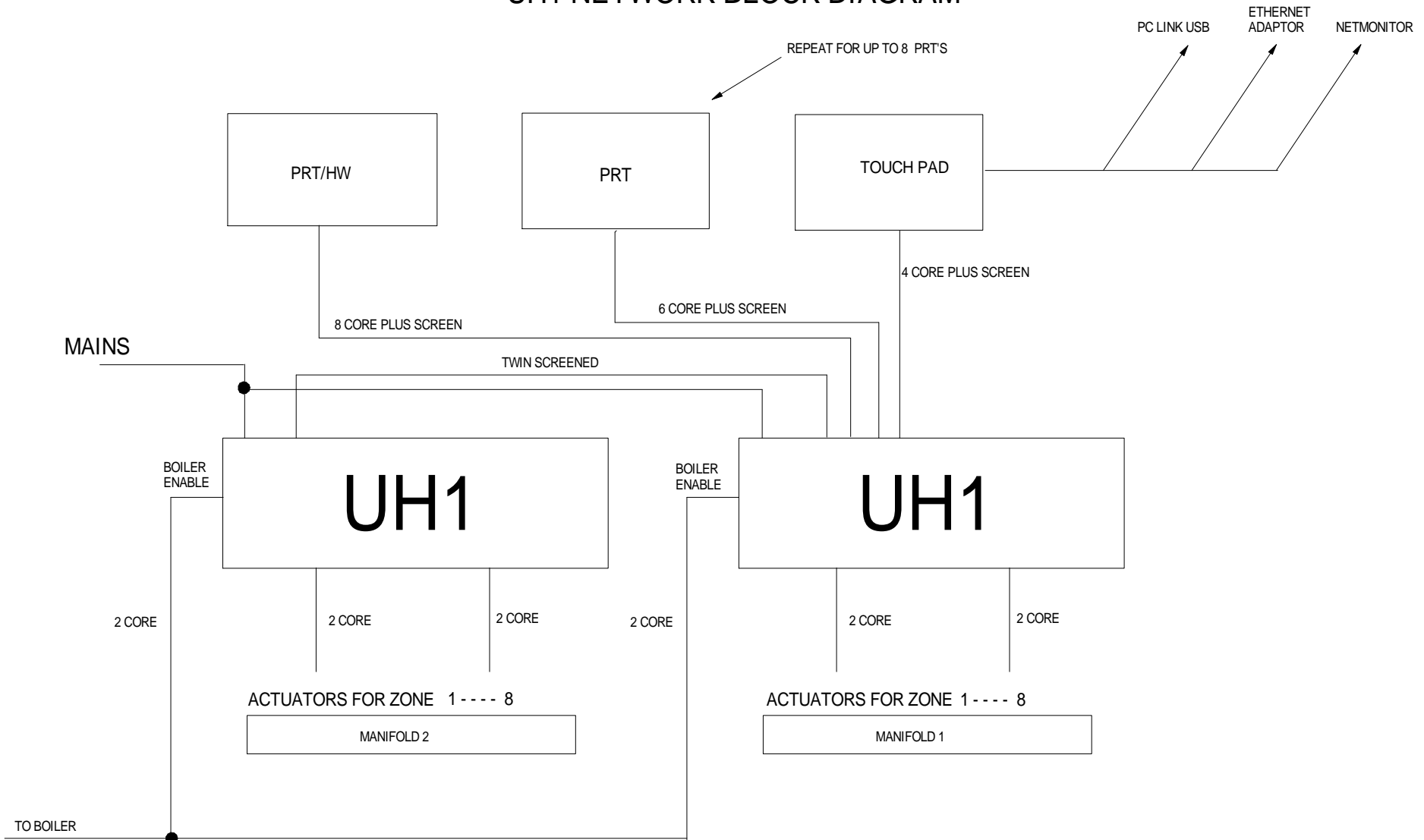
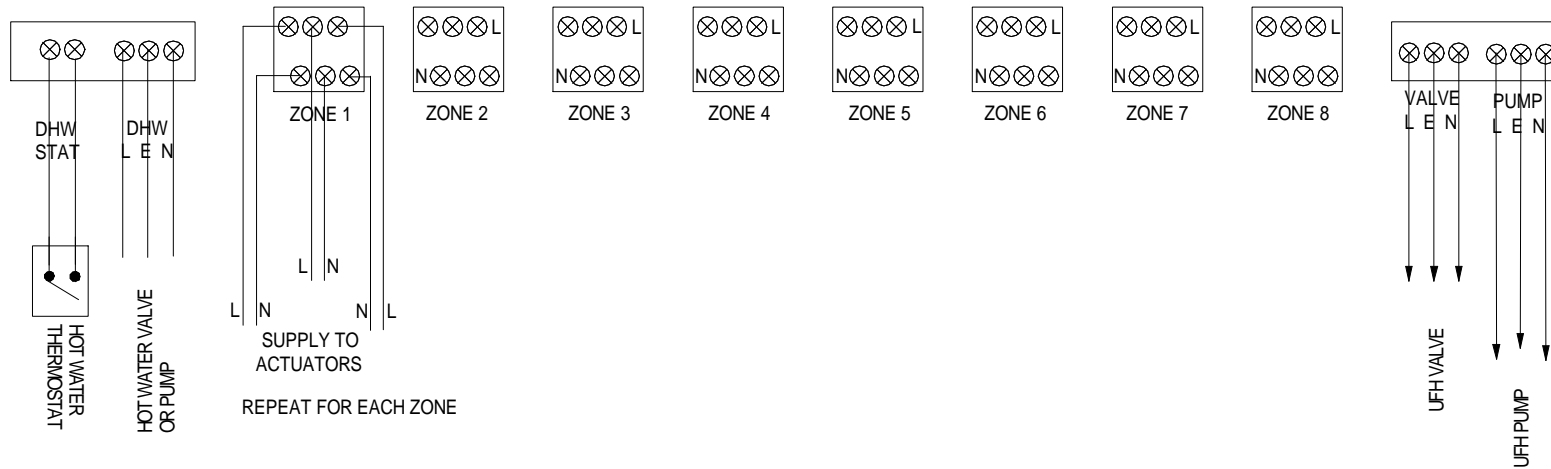
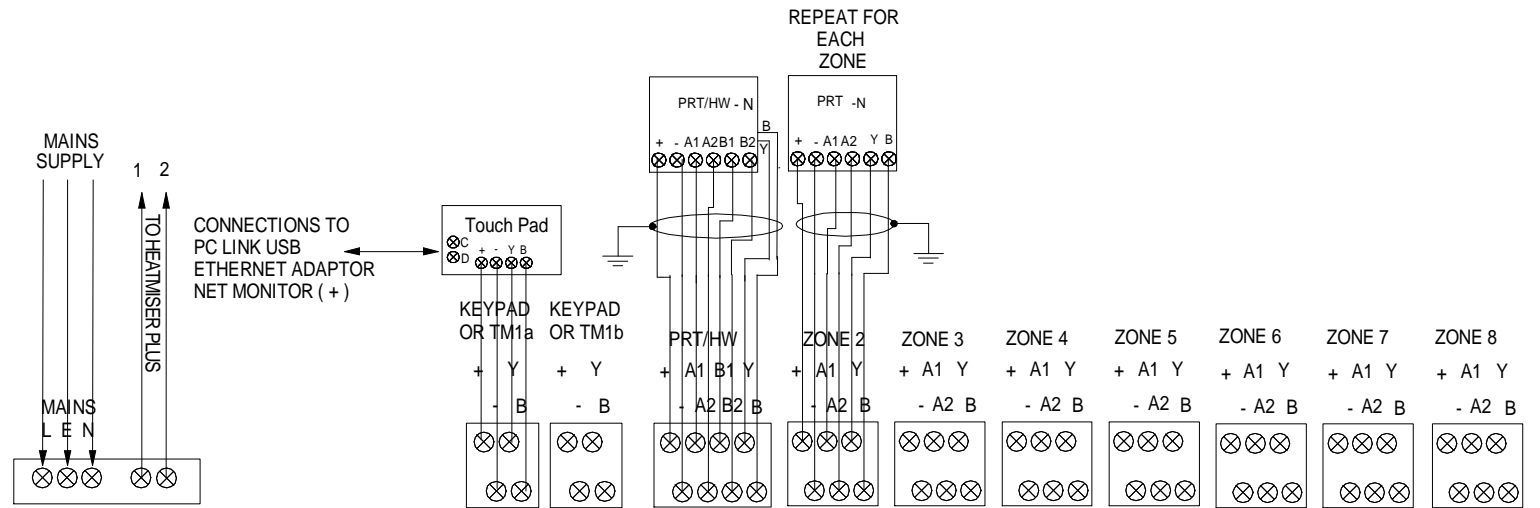


N.B Connect all the cable screens at the UH1 end only

### UH1 NETWORK BLOCK DIAGRAM



# N.B CONNECT ALL CABLE SCREENS TO EARTH AT THE UH1

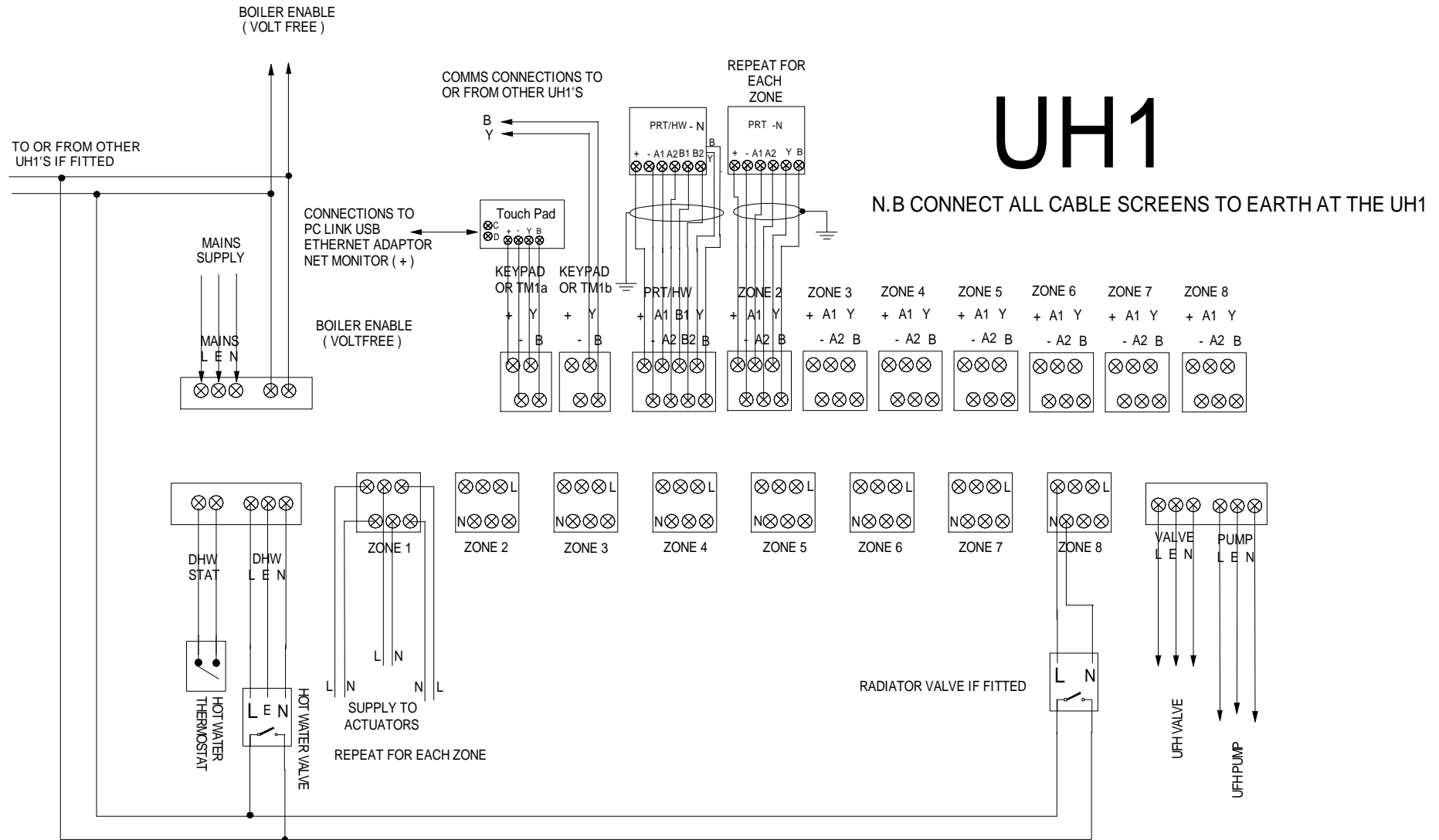


# UH1

THERMOSTATS 1 TO 7 ALWAYS ACTIVATE THE BOILER THERMOSTAT 8 CAN BE SET TO BRING ON THE BOILER IF REQUIRED  
 NOT ALL CONNECTIONS ARE REQUIRED AT ALL TIMES

Recommended cables are Beldon 9536 for 6 core and Beldon 9538 for 8 core

# Wiring diagram when used with radiator and hot water systems



THERMOSTATS 1 TO 7 ALWAYS ACTIVATE THE BOILER AND MAINFOLD PUMP AND VALVE  
THERMOSTAT 8 CAN SET TO BRING THEM ON IF REQUIRED

NOT ALL CONNECTIONS ARE REQUIRED AT ALL TIMES

Recommended cables are Beldon 9536 for 6 core and Beldon 9538 for 8 core